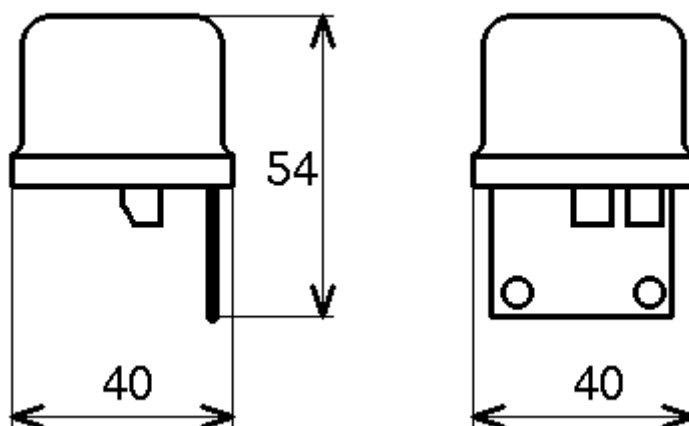


## JTO siren

JTO siren is a small siren designed to alert the operator when the first or the second level of gas concentration in the detection system is reached. It is connected to the S + and S- terminals fo the NZ34 power supply. It is usually installed in places with permanent service, such as reception, gatehouse or rooms with permanent presence of personnel...

The siren volume can be compared to a beeping electric alarm clock, so it cannot be used to summon personnel from another room or another part of the building.



### Technical parameters:

Dimensions:	See image
Weight:	25 g
Volume:	60 dB
Supply voltage:	15 V DC max.
Current consumption:	10 mA at 12 V